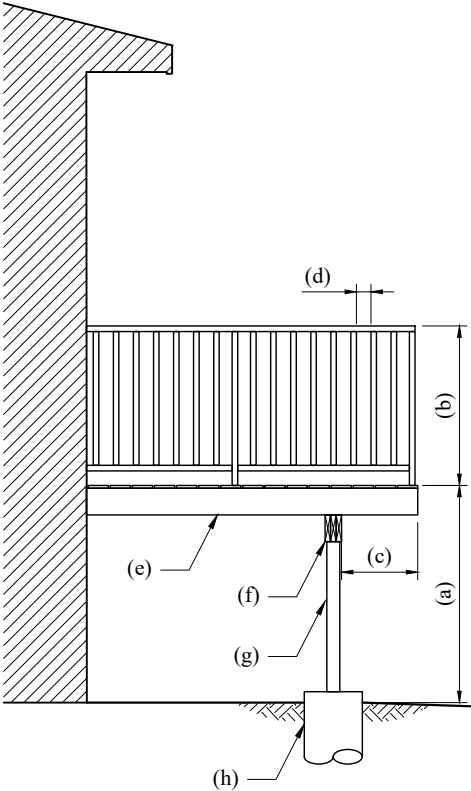
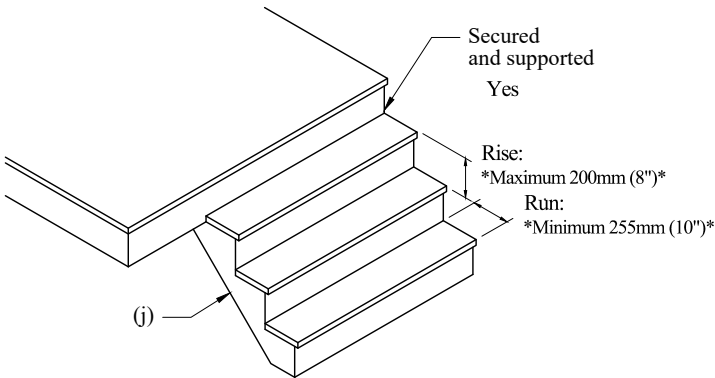


DECK WORKSHEET



DECK



NOTE: Handrail required when more than 3 risers.

STAIR

Please complete the following:

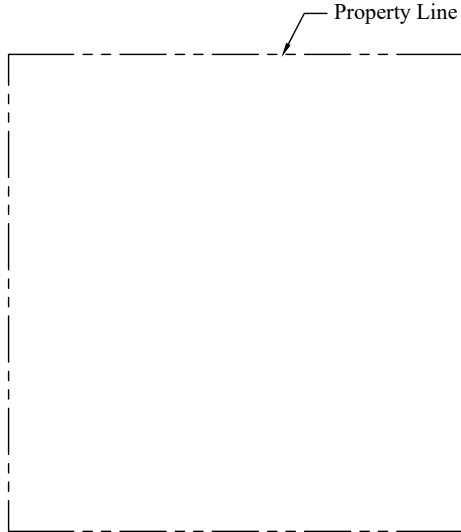
DECK DESIGN:

- (a) Deck Height:
Guardrail required when deck height is > 600mm (24") above finished grade
- (b) Guardrail Height:
- (c) Cantilever:
Maximum 600mm (24")
- (d) Maximum 100mm (4") spacing

DECK CONSTRUCTION:

Guardrail Construction (check all that apply)

- | | |
|-------|--|
| Glass | Vertical Spindles |
| Wood | Horizontal Spindles |
| Metal | *permitted when deck is < 4.2m (13'-9")* |
- (e) Joist Size: 2x
Material:
 - (f) Beam Size: 2 3 4 - 2x
Material:
 - (g) Column Size: 4x4 6x6
Material:
Number of Columns:
 - (h) Foundation:
Deck Blocks
Piles: Diameter x Depth
 - (j) Stringer Size: 2x
Material:
Number of Stringers:



SITE PLAN:

- Sketch house footprint and deck location and indicate the following:
- Overall dimensions of deck
 - Distance to property lines
 - Location of beams
 - Location of columns

JOIST SPANS		
Joist Size	16" o.c.	24" o.c.
2 x 6	9'-0"	8'-2"
2 x 8	11'-2"	10'-7"
2 x 10	13'-5"	12'-9"

2 PLY BEAMS			
Joist Length	2 x 6	2 x 8	2 x 10
8'-0"	6'-7"	8'-5"	10'-3"
10'-0"	6'-1"	7'-6"	9'-2"
12'-0"	5'-8"	6'-10"	8'-4"

3 PLY BEAMS		
Joist Length	2 x 8	2 x 10
8'-0"	9'-10"	12'-7"
10'-0"	9'-2"	11'-3"
12'-0"	8'-5"	10'-3"

<p>Owner's Name:</p> <p>Address:</p> <p>Municipality:</p>	<p>Provided by:</p>
--	---------------------